
Section 1.0 Open Wheel Car Specs 2010

Section 1.1 Stock Open Wheel

- .1 **Car length:** 80"min, 90" max.
- .2 **Tread width:** 40" max from the center of tire to center of the tire.
- .3 **Frame material:** min 7/8 steel tubing. min thickness .050.
- .4 **Roll Cage:** Cock pit compartment - min 16" wide measured from right and left top door bar at seat location, by 23" long measured from inside center of dash to inside center of rear firewall.
 - .1 Cage material - 3/4" E.M.T. or 3/4" O.D. by .050 min wall mild steel tubing.
 - .2 Minimum of 3" from nerf bar to cage upright.
 - .3 Seat must be within the cage.
- .5 **Front and back bumper:** 16" wide minimum - 1/2" E.M.T. or mild steel tubing or suitable material. Max width front not past inside edge of tires, wheels straight ahead. Max rear width to outside edge of tires (not beyond).
 - .1 9" to center of top bar from the ground (+ or - 1").
 - .2 1 vertical bar - 1/2" E.M.T. or mild steel tubing.
 - .3 If there are two horizontal bars used in the front bumper, the top bar - that measures 9" from the ground, must be farthest forward on the car. Or the two horizontal bars may be even with a line perpendicular to the ground.
- .6 **Nerf bars:** Nerf bars are to be within 2" (+ or -) of a straight edge line between the front tire (steering set straight forward) and the rear tires outside edge when adjacent to the cockpit opening. (See figure 31-1). (**O W 1997**)
- .7 **Body:** Any type (Indy, Supermod, Modified) - No wooden bodies. **Minimum .030 material.** Windshields are optional and Must be made of polycarbonate material only, with no sharp edges.
- .8 **Firewalls:** Must be between the engine and driver's compartment. Firewalls must be made of 1/16" (.062) aluminum or steel.
- .9 **Seat back:** Must be either "X" bracing or inverted V in roll cage. Must be made of 1/16" (.062) aluminum or steel.
- .10 **Floor:** Must be 1/16" (.062) aluminum or steel under drivers area and securely fastened. - (minimum 3 fasteners)
- .11 **Engine:** 5hp. Briggs to N.Y.S.M.A. Open Wheel Specifications.
- .12 **Gear ratio:** Open
- .13 **Guards:**
 - .1 All exposed chains and clutches must have guards.
 - .2 Flywheel guards are required (**Optional for 5 HP Briggs except for Mod classes**). Can be 1/8" min thick steel or 3/16" min aluminum; min 2" wide. Cut outs to conform to the original shroud are allowed. **Changed 2007(12/01/06)**
- .14 **Weight:**
 - .1 Jr Novice & Novice open wheel - 320 lb..
 - .2 **Limited** - **340 lb..**

*** 2004 Change (10.06.03)**

 - .3 Stock open wheel - 360 lb..
 - .4 Super Stock open wheel - 400 lb..
 - .5 Modified open wheel - 350 lb..
- .15 **Tear down: AS PER N.Y.S.M.A. RULES OR CLUB TECH INSPECTIONS.**

Section 1.2 Jr Novice, Novice & Limited Open Wheel 2010

- .1 **Engine:** See engine rules.
- .2 **Car specs:** Same as Stock Open Wheel.

Section 1.3 Super Stock Open Wheel

- .1 **Engine:** See engine rules.
- .2 **Car specs:** Same as Stock Open Wheel.

Section 1.4 Modified Open Wheel

- .1 **Engines:** See engine rules.
- .2 **Car specs:** Same as Stock Open Wheel.
- .3 **Additional info:**
 - .1 Pump gas or Methanol with no additives.
 - .2 No forced induction, carb only.
 - .3 **NO NITROUS OXIDE.**
 - .4 Open gear ratio.

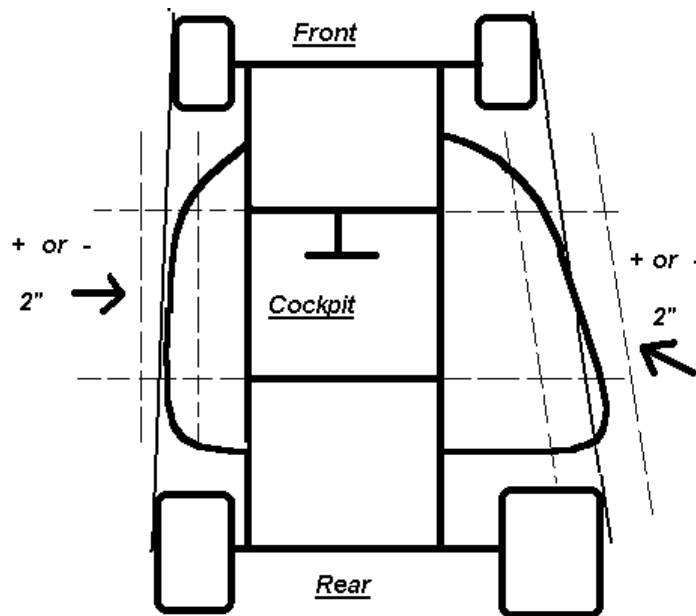


Figure 31 - 1 (O)

Section 2.0 Safety - Open Wheel 2010

- .1 **All Drivers must wear the following:** Seat belts, shoulder harness, proper footwear, jackets, wrist restraints, gloves, helmet with shield or goggles.
 - .1 Optional Safety Equipment
 - .1 The use of Neck Collars is strongly recommended. Proposal 01-06-01
- .2 A four (4) point, competition type seat belt and shoulder harness, with a single release is **MANDATORY!!** (A five (5) point harness is recommended.) Belt and harness must be securely fastened to the roll cage and frame. The use of elastic material on safety belts is prohibited.
- .3 **Drivers body:** (Head, Arms, Hands, legs, Feet, etc.) must remain inside the roll cage and **Drivers feet and legs must be protected by body material from dash to nose**. Seat belts must be fitted tightly to the driver at all times under the green flag.
- .4 Roll cage upper side bars are MANDATORY. Must attach diagonally or horizontally to front and rear cage uprights. Must not extend beyond the side nerf bars. Bar can be no higher than the driver's shoulder, and no lower than 6" from the top of the drivers shoulders. (Both sides of the car).
- .5 A vertical bar, made of roll cage material, must be located within 1" of the front axle on each frame rail or a 1/8" **uncoated** steel cable attached to each end of axle and going forward to be attached to the front frame cross member. Cables must be double clamped. (For straight front axle cars.)
[Changed 12-09-01]
- .6 All corners must be rounded (bumper, nerf bar, frame and body). No protrusions past inside of bumpers or nerf bars except tires. (No axle protrusions past outside of wheel rim.)
- .7 All engines **must** have an oil catch can and all gas caps must be vented to a catch can as well (if applicable).
- .8 NO ROOF WINGS of any type over driver's head.
- .9 Kill switch is **MANDATORY**. Must be in reach of driver.
- .10 Two wheel (Rear) brakes are **MANDATORY**. Drum or disc. If a single wheel drive is used, BOTH rear tires must have equal brakes.
- .11 **HELMET TO ROLL BAR CLEARANCE:** No less than 3" from bottom of roll bar with padding removed will be allowed.

Section 3.0 Racing Classes 2010

- .1 Class age requirements are as follows:
 - .1 **Jr NOVICE & NOVICE OPEN WHEEL**
 - .1 Driver must be at least five (5) years old. The fifth (5th) birthday must be on or before May 1st of the racing season for Jr Novice. The driver must be at least eight (8) years old, the eighth (8th) birthday must be on or before May 1st of the racing season for Novice.
 - .2 Maximum age is seven (7) years old, the eighth (8th) birthday must be after July 15th of the racing season for Jr Novice. The maximum age is eleven (11) years old, the twelfth (12th) birthday must be after July 15th of the racing season for Novice.
 - .2 **LIMITED**
 - .1 ***A new driver must be at least eleven (11) years old. The 11th birthday must be on or before July 15th of the racing season year.***
 - .2 ***Drivers who are nine (9) years old and have two years experience, can be in this class. The 9th birthday must be on or before July 15th of the racing season year.***
 - .3 ***Drivers who are 10 years old and have raced Novice class previously, can be in this class.***
 - .4 ***Maximum age is thirteen (13) years old. The 14th birthday must be after July 15th of the racing season year.***
 - .5 ***A new or inexperienced driver fourteen (14) years old will have the option of racing for one (1) year only in this class, with the permission of the members individual club Officers and Directors. The 14th birthday must be after July 15th of the racing season year.***
 - .3 **STOCK OPEN WHEEL**
 - .1 Driver must be at least twelve (12) years old. The twelfth (12th) birthday must be on or before July 15th of the racing season year. Drivers 10 years old on or before May 1st of the racing season and have two year experience in open wheels may enter this class.
 - .2 Maximum age is fifteen (15) years old. The sixteenth (16th) birthday must be after July 15th of the racing season year.
 - .4 **SUPER STOCK OPEN WHEEL**
 - .1 Driver must be at least thirteen (13) years old, with two years racing experience. The thirteenth birthday must be on or before July 15th of the racing season year. Drivers who are twelve (12) years old on or before May 1st of the racing season and have two years of experience in open wheels may enter this class.
 - .2 Maximum age: If not in High school you can race through the summer of the graduating year. **(1-95-2)**
 - .5 **MODIFIED OPEN WHEEL**
 - .1 Driver must be at least thirteen (13) years old, with at least two (2) years of racing experience. The thirteenth (13) birthday must be on or before July 15th of the racing season year. Drivers who are twelve (12) years old on or before May 1st of the racing season and have two years of experience in open wheels may enter this class.
 - .2 Driver with no prior experience must be at least fourteen (14) years old. The fourteenth (14) birthday must be on or before July 15th of the racing season year.
 - .3 Maximum age: see NYSMA rule **(1-95-2)** for maximum age .
- .2 A driver must notify the race Director or Club President before they will be allowed to change classes.
- .3 In all classes if a driver participates in one club race for points, the driver cannot drop back to a lower class during the year.
- .4 For the purpose of the age requirements the ranking order of classes (from lowest to highest)
1 Jr Novice Open, 2 Novice Open, **3 Limited**, 4 Stock Open, 5 Super Stock Open, 6 Modified Open
- .5 Exceptions to the age requirements must be approved by the NYSMA Board of Directors at a regular scheduled meeting prior to March 31st.

Section 4.0 “Additional Requirements”

- .1 All cars must be numbered as follows,
 - .1 On the top of the hood, minimum 6 inches high.
 - .2 On the left and right Body side panels, minimum 4 inches high.
 - .3 On the rear of the gas tank, seat back or rear fender, minimum 4 inches high.
 - .4 All numbers must be of a style and color that is clearly legible for scorers to read.
 - .5 Any valid unused 1 or 2 digit number may be used, contact your club and chose an unused number from their race class list.